

»BISAGRA DE COJINETE DE 180 °

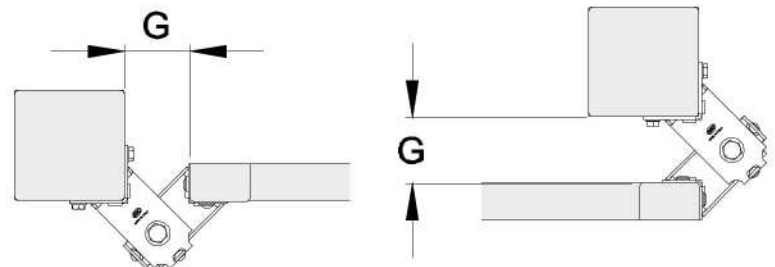
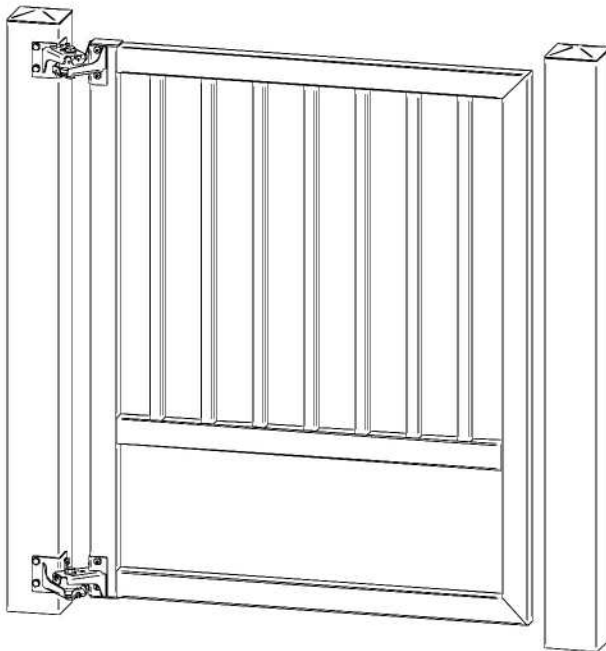
Description

Hinges with bearing for 180 degrees gate opening. Column mounting is recommended with screws and threaded rivets, to the gate is recommended the use of screws and brackets.

| |
|-------------|
| Part Number |
| KC4411 |

“G” is referred to the hinge adjusting range

| Part Number | G | Minimum profile size |
|-------------|-------|----------------------|
| KC4411.050 | 65+80 | 40x40 Sp.1,5mm |



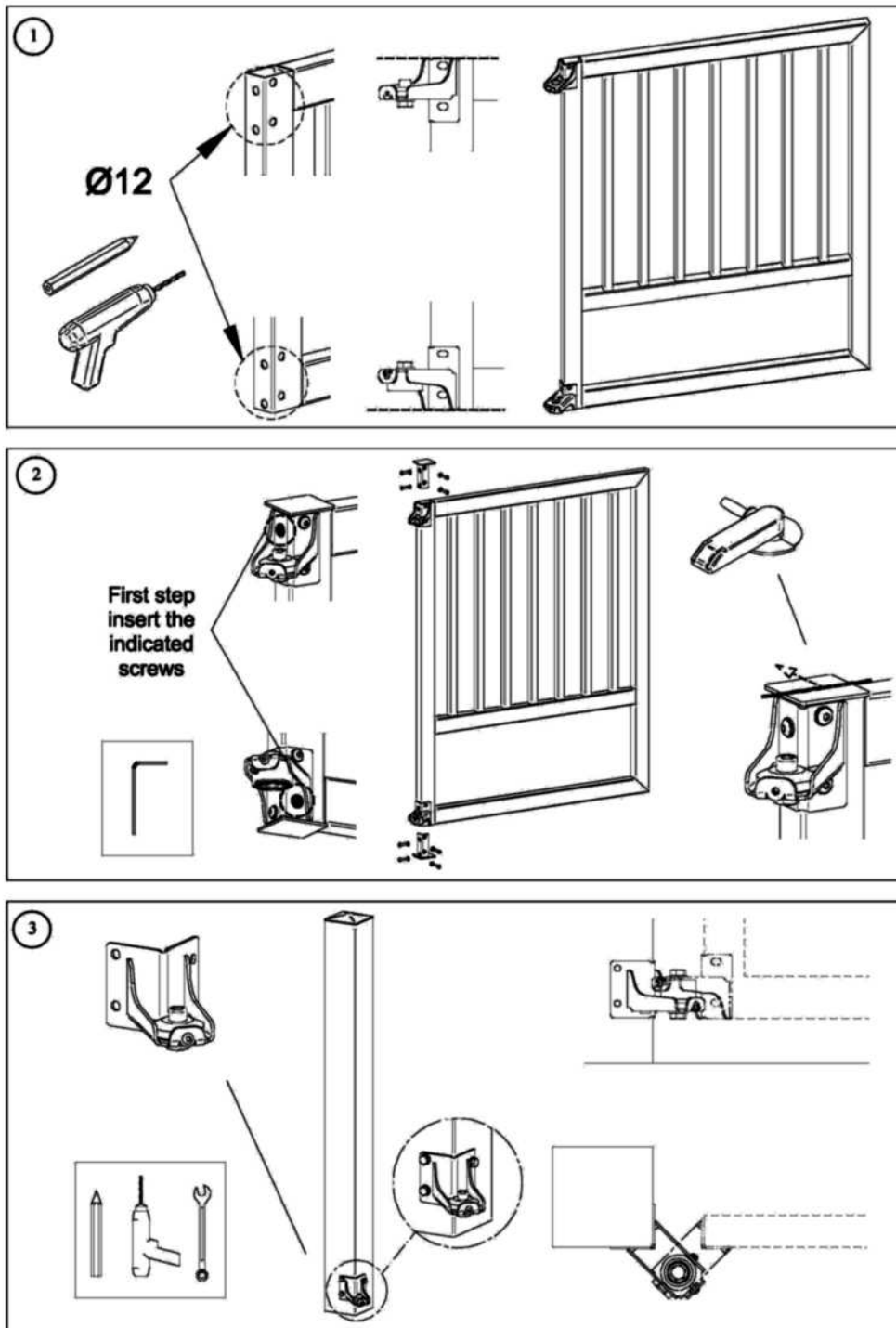
Maintenance

To keep this product in an efficient and safe working condition is recommended to follow the indicated steps:

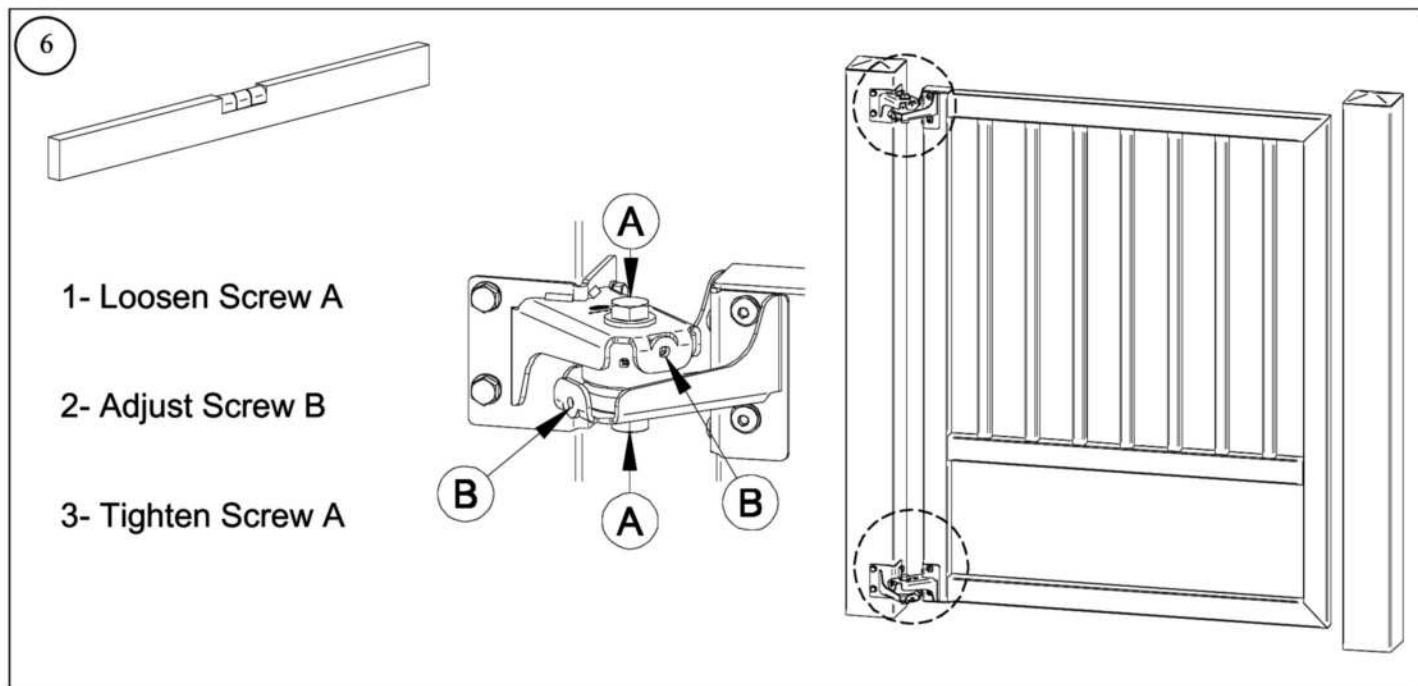
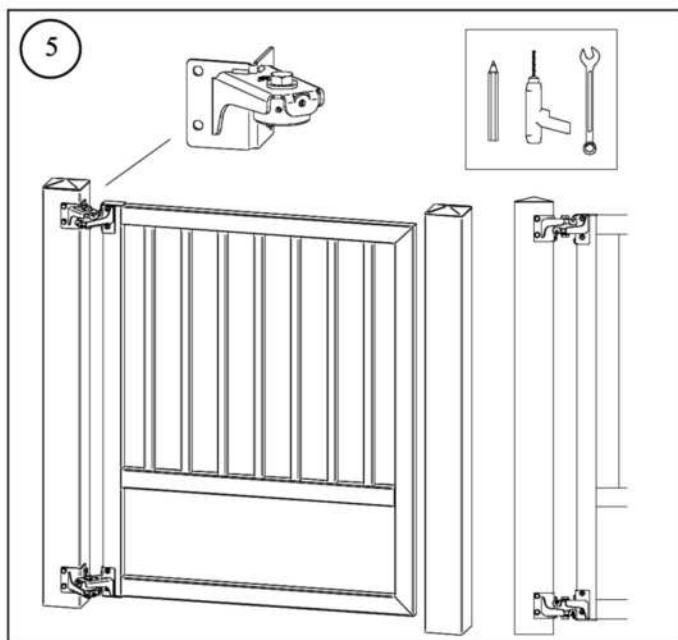
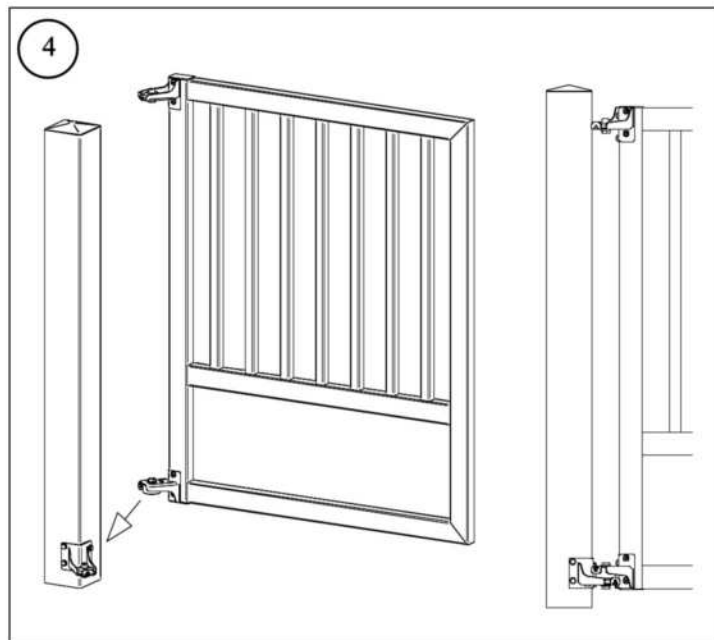
1. After gate assembly is completed, perform a few manual (opening and closing) cycles, make sure there are no loosen parts and periodically check for loosen parts, nuts and bolts and lubricate all bearings.
2. Periodically check for gate sagging. If sagging happens due to lower hinge failure, then reinforce the lower hinge. Failure to take corrective actions may cause the gate to fall off and may cause irreparable and life threatening damage to people and things. After installation the gate shall never be allowed to sag more than 2-3 mm.
3. In case of accidental shock caused by moving vehicles or other external factors, check the gate and parts for external damages. In case of irreparable damage, replace the damaged part. After a repair job or after periodic maintenance check the gate by manually operating a few opening and closing cycles. All maintenance procedures must be performed by a trained technicians.



» BISAGRA DE COJINETE DE 180 °



»BISAGRA DE COJINETE DE 180 °



» BISAGRA DE COJINETE DE 180 °

